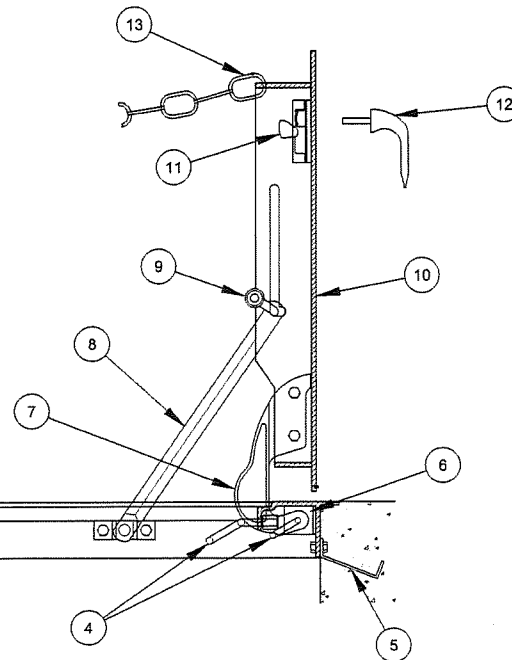
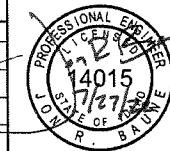


ITEM NO. AND DESCRIPTION

- 1 GUIDE ARM (IF REQUIRED).
- 2 NEOPRENE GASKET.
- 3 1/4" x 1-1/4" ASTRAGAL.
- 4 TORSION/CAM OPERATING MECHANISM.
- 5 1/8" x 1" STEEL ANCHOR STRAP.
- 6 EXTRUDED ALUMINUM FRAME.
- 7 STEEL CAST HINGES.
- 8 BILCO AUTOMATIC HOLD OPEN ARM.
- 9 RED VINYL GRIP.
- 10 1/4" ALUMINUM DIAMOND PLATE COVER.
- 11 STANDARD SLAM LOCK.
- 12 REMOVABLE SQUARE KEY WRENCH.
- 13 GUARD CHAIN.



REVISIONS	
DATE	DESCRIPTION



HAYDEN LAKE
IRRIGATION DISTRICT

KD SIDEWALK DOOR

HLID DETAIL #:
005

SCALE: NONE

DATE: July, 2022

DWG: 005 - KD_SIDEWALK_DOOR(11-2019).dwg

APPROVED: BR