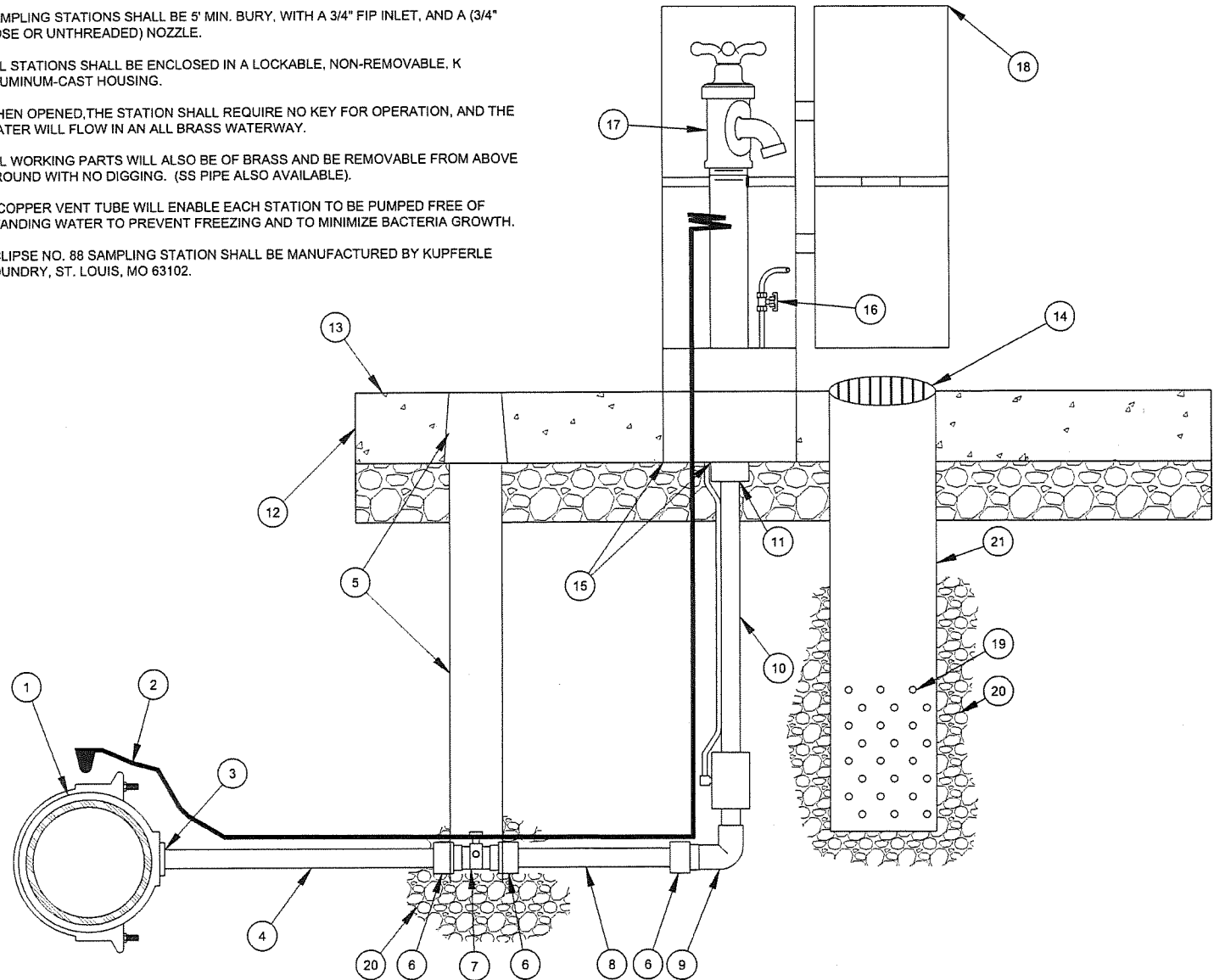


ITEM NO. AND DESCRIPTION:

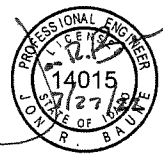
- 1 WATER MAIN.
- 2 10 GAUGE SOLID COPPER TRACER WIRE, CONNECT TO TRACE WIRE MAIN USING 3M TYPE DBR.
- 3 CORP STOP WITH POLY PLUG.
- 4 1" 250 PSI POLY.
- 5 4" PVC STACK WITH TYLER TOP SECTION AND LID.
- 6 MALE PAC.
- 7 STOP AND WASTE VALVE, 1 CUBIC FOOT OF DRAIN ROCK BELOW.
- 8 24" x 1" POLYPROPYLENE NIPPLE.
- 9 3/4" x 1" ELBOW MIPT.
- 10 STAINLESS STEEL STANDPIPE.
- 11 5' MIN. DEPTH OF BURY.
- 12 2' x 3' x 3" CONCRETE SLAB WITH 1 FOOT OF 3/4-INCH AGGREGATE COMPACTED TO 95% ASTM D-1557.
- 13 GROUND LINE.
- 14 6" NDS 50 CATCH BASIN GRATE.
- 15 ALUMINUM BASE, WRAP FOAM AROUND BEFORE CONCRETE.
- 16 COPPER VENT TUBE WITH OPTIONAL 1/4" BALL VALVE IN PLACE OF 1/4" PET.
- 17 ECLIPSE 88 SAMPLING STATION.
- 18 ALUMINUM HOUSING.
- 19 PERFORATED OR SLIT PIPE DRAIN BOTTOM 18-INCH.
- 20 DRAIN ROCK AND FABRIC.
- 21 6" C-900 PVC VERTICAL PIPE WITH DRAIN ROCK TO 48" BELOW GRADE MINIMUM.

NOTES:

- 1. SAMPLING STATIONS SHALL BE 5' MIN. BURY, WITH A 3/4" FIP INLET, AND A (3/4" HOSE OR UNTHREADED) NOZZLE.
- 2. ALL STATIONS SHALL BE ENCLOSED IN A LOCKABLE, NON-REMOVABLE, K ALUMINUM-CAST HOUSING.
- 3. WHEN OPENED, THE STATION SHALL REQUIRE NO KEY FOR OPERATION, AND THE WATER WILL FLOW IN AN ALL BRASS WATERWAY.
- 4. ALL WORKING PARTS WILL ALSO BE OF BRASS AND BE REMOVABLE FROM ABOVE GROUND WITH NO DIGGING. (SS PIPE ALSO AVAILABLE).
- 5. A COPPER VENT TUBE WILL ENABLE EACH STATION TO BE PUMPED FREE OF STANDING WATER TO PREVENT FREEZING AND TO MINIMIZE BACTERIA GROWTH.
- 6. ECLIPSE NO. 88 SAMPLING STATION SHALL BE MANUFACTURED BY KUPFERLE FOUNDRY, ST. LOUIS, MO 63102.



REVISIONS	
DATE	DESCRIPTION



HAYDEN LAKE IRRIGATION DISTRICT		HLID DETAIL #: 004
ECLIPSE NO. 88 SAMPLING STATION		DATE: July, 2022
SCALE: NONE	APPROVED: BR	
DWG: 004 - SAMPLE_STATION(11-2019).dwg		