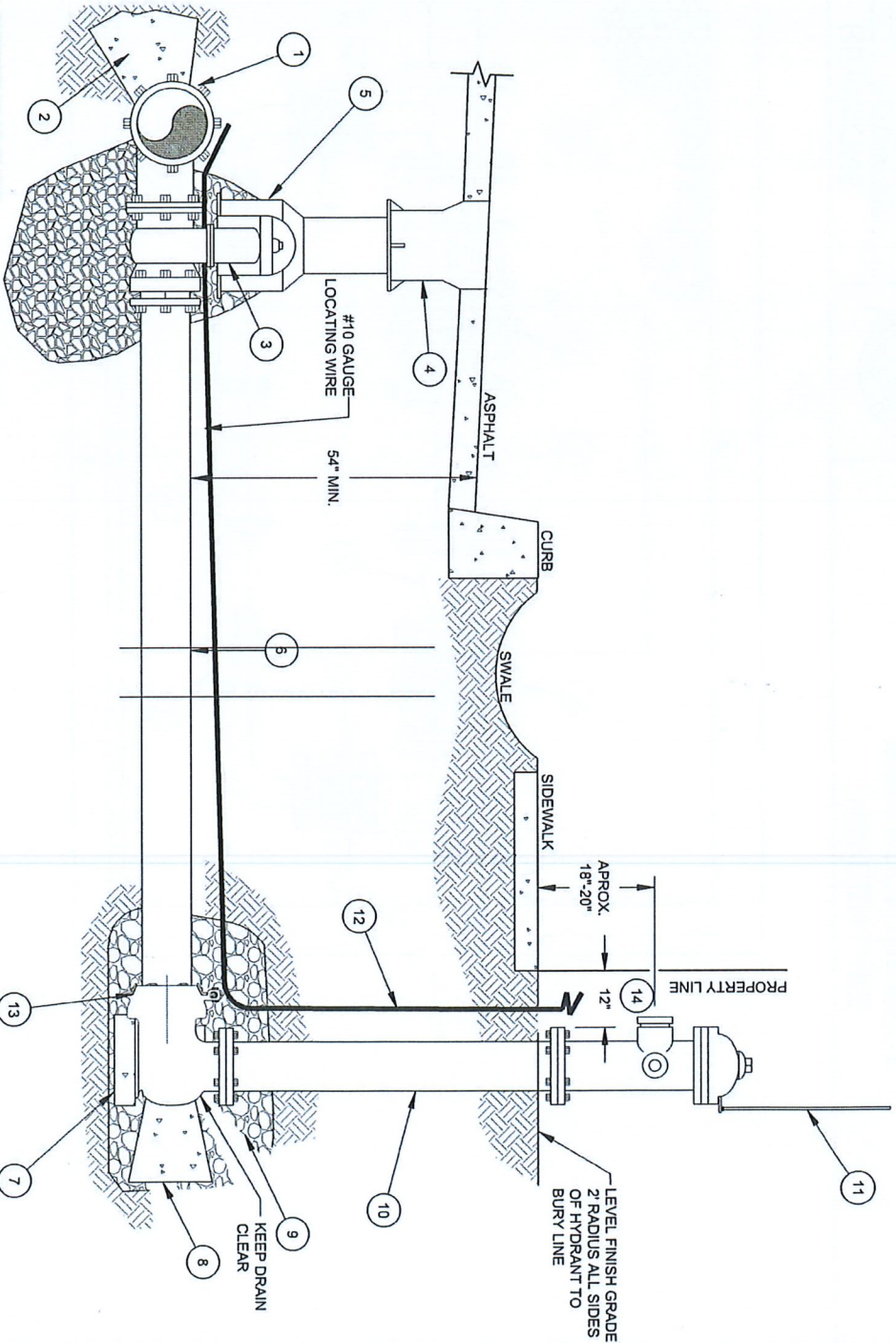


**HYDRANT SPECIFICATIONS**

- 6" DRY BARREL FIRE HYDRANT FOR 5' BURY
- 6" MECHANICAL JOINT BOTTOM CONNECTION.
- 1 1/2" PENTAGON OPERATING NUT, OPEN LEFT.
- TWO 2 1/2" HOSE NOZZLES NST.
- ONE PUMPER NOZZLE 4 1/2" STORZ CONNECTOR.
- HYDRANT COLOR-RED.
- MODERN PROFILE TYPE.
- HYDRANT TO SET PLUMB.

**ITEM NO. AND DESCRIPTION**

- 1 MAIN SIZE M.I. x 6" FLANGE DUCTILE IRON TEE OR DIRECT TAP TEE.
- 2 CONCRETE THRUST BLOCKING PER ISPPWC STD DWG. WRAP TEE AND FITTINGS WITH MIN. 6 MIL PLASTIC SHEETING BEFORE POURING THRUST BLOCK.
- 3 6" FLANGE x M.I. GATE VALVE (RESTRAIN ALL JOINTS). PROVIDE A BEARLING BLOCK UNDER VALVE IF DIRECT TAP TEE.
- 4 TYLER CAST IRON VALVE BOX WILD. SERIES 8855 OR APPROVED EQUAL, INSTALLED PLUMB.
- 5 BOX LOC FOR CENTERING VALVE BOXES.
- 6 6" C-900 PVC DR-18 PIPE x REQD LENGTH (5' MINIMUM).
- 7 4" THICK CONCRETE BASE.
- 8 POUR IN PLACE CONCRETE THRUST BLOCK - WRAP HYDRANT AND FITTINGS WITH MIN. 6 MIL PLASTIC SHEETING BEFORE POURING THRUST BLOCK. PROTECT DRAIN.
- 9 DRAIN ROCK WITH FABRIC.
- 10 FIRE HYDRANT: WATEROUS PACER WITH STORZ CONNECTOR (WITH 1/6" UPPER STANDPIPE) AND ALPHA SHOE BASE.
- 11 HYDRANT MARKER FLAG: HYDRA-FINDER BY RODON CORPORATION
- 12 10 GAUGE SOLID COPPER TRACER WIRE. CONNECT AT MAIN USING 3M TYPE DBR OR DBRS.
- 13 ROMAGRIP SHOE ALPHA



**PLACEMENT TABLE**

| NO. | DESCRIPTION                          | PLACEMENT                  |
|-----|--------------------------------------|----------------------------|
| A   | EDGE PAVEMENT, CURB, SWALE, SIDEWALK | 12" FROM FRONT OF SIDEWALK |
| B   | EDGE PAVEMENT, CURB, SIDEWALK        | 20" FROM FRONT OF SIDEWALK |
| C   | EDGE PAVEMENT                        | 4" FROM EDGE OF PAVEMENT   |

**REVISIONS**

| DATE | DESCRIPTION |
|------|-------------|
|      |             |
|      |             |
|      |             |
|      |             |

**HAYDEN LAKE  
IRRIGATION DISTRICT**

**FIRE HYDRANT DETAIL**

SCALE: NONE  
 DATE: April, 2020  
 DWG: 007 - FIRE HYDRANT(11-2019).dwg  
 H.I.D. DETAIL #:  
 007  
 APPROVED: BR

